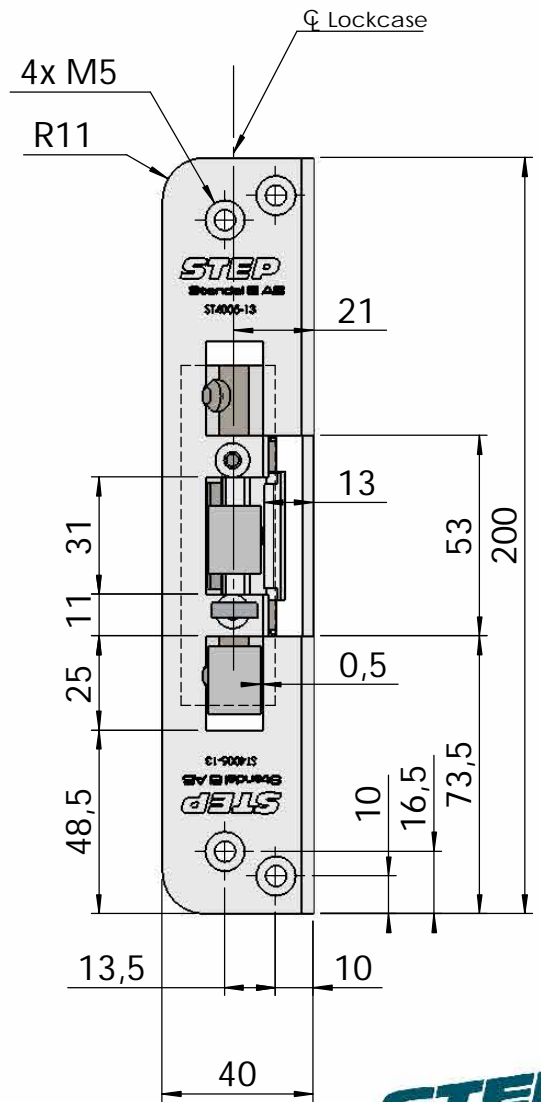
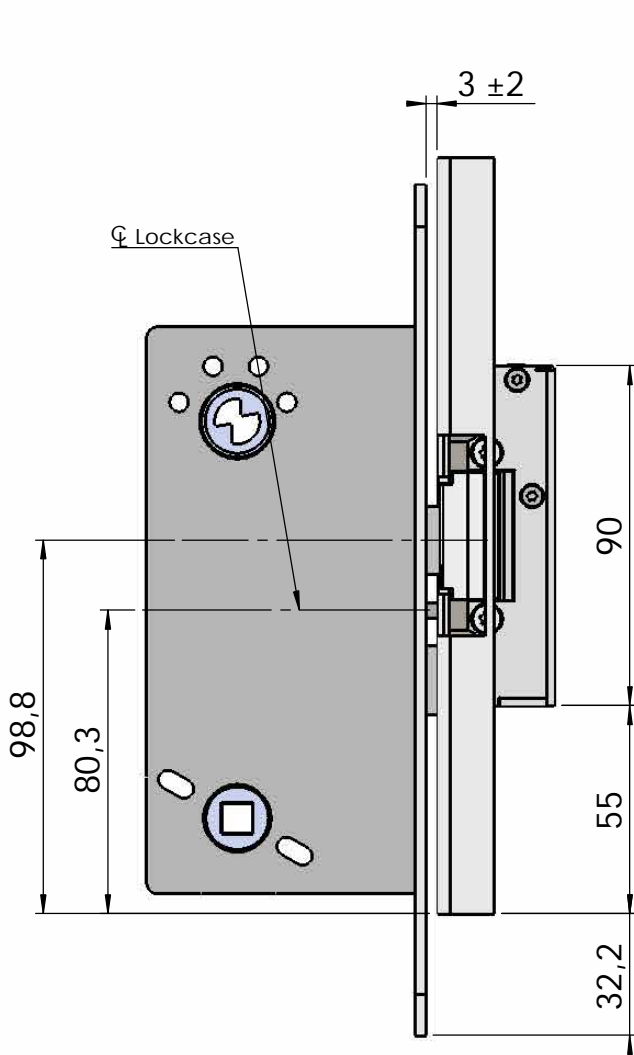
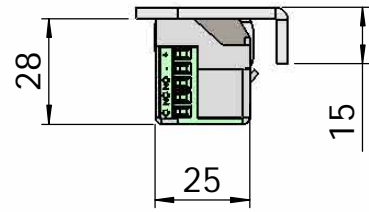




Montering för Modul



This document shall not be copied without owners written allowance and its content shall not be exposed for third part nor be used for unauthorized purpose.

Owner Stendals EI AB	Title/Description STEP 40 med vinklad stolpe plös 13mm Montering för Modul Drawing no. ST4005-13 Scale 1:2
--------------------------------	---